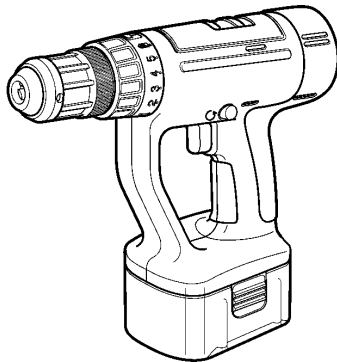


Service Manual

Cordless Hammer Drill & Driver

EY6932-U1



Please file and use this manual together with the service manual for Model No. EY6931, Order No. PTD0009U37C1.

SPECIFICATIONS

Capability	Screw driving	Machine screw	M3~M6
		Wood screw	∅2.1~∅6.8mm (5/64"~17/64")
		Masonry screw	∅4~∅6mm (5/32"~15/64")
	Drilling	Mortar/Brick	∅3~∅13mm (1/8"~1/2")
		Wood	∅3~∅36mm (1/8"~1-27/64")
		Metal	∅1.5~∅13mm (1/16"~1/2")
		Metal hole saw	Max. ∅34mm (1-11/32")
Motor		DC Motor 15.6V	
No load speed	LOW	80~550/min (rpm)	
	HIGH	300~2000/min (rpm)	
Blows rate per minute	LOW	120~8250/min (bpm)	
	HIGH	4500~30000/min (bpm)	
Chuck capacity		∅1.5~∅13mm (1/16"~1/2")	
Blow strength		1.7kN, (173kgf, 370 lbs.f)	
Overall length		236 mm (9-5/16")	
Weight (with battery pack)		2.4kg (5.3 lbs)	

Panasonic®

© 2003 Matsushita Electric Industrial Co., Ltd. All rights reserved. Unauthorized copying and distribution is a violation of law.

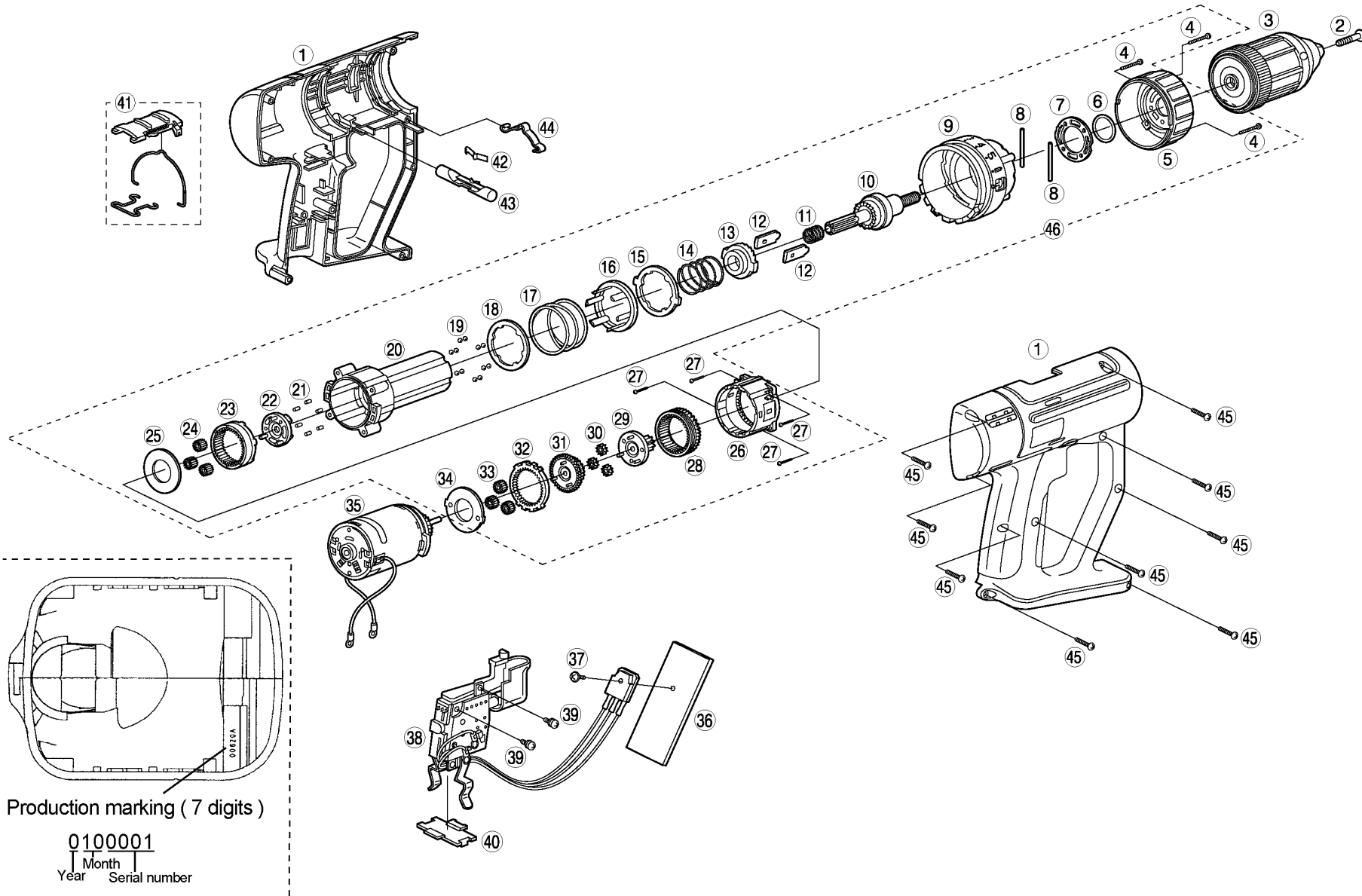
 **WARNING**

This service information is designed for experienced repair technicians only and is not designed for use by the general public. It does not contain warnings or cautions to advise non-technical individuals of potential dangers in attempting to service a product. Products powered by electricity should be serviced or repaired only by experienced professional technicians. Any attempt to service or repair the product or products dealt with in this service information by anyone else could result in serious injury or death.

CONTENTS

	Page		Page
1 EXPLODED VIEW	3	2 REPLACEMENT PARTS LIST	4

1 EXPLODED VIEW



2 REPLACEMENT PARTS LIST

NOTE :

*B=only available as set

*C=available individually

Ref. No.	Part No.	Part Name & Descriptions	Remarks	Per Unit
1	WEY6932K3078	HOUSING AB SET		▲ 1
2	EYT103L6807	CHUCK FASTENING SCREW		▲ 1
3	EY6930K7917	KEYLESS DRILL CHUCK		1
4	EY6930K9157	SCREW	*C K3-16	3
5	EY6901H3227	CLUTCH HANDLE A		1
6	EY509B0977	O-RING		1
7	EY6901L0567	CHANGE RING		1
8	EY6901L0357	PIN	*B ϕ 2-31.8	2
9	WEY6902H3257	CLUTCH HANDLE B		1
10	WEY6902L1137	DRIVING SHAFT		1
11	EY6900B0177	SPRING		1
12	EY6901L0907	CHANGE PLATE	*B	2
13	EY6901L1387	CAM A		1
14	EY6901L0197	VIBRATION SPRING		1
15	EY6901L0457	CLICK PLATE		1
16	EY6901L0637	ADJUSTING RING		1
17	EY6901L0167	CLUTCH SPRING		1
18	EY6901L0577	CLUTCH PLATE		1
19	EY560B6967	STEEL BALL	*B ϕ 5	12
20	EY6901L1797	CLUTCH CASE		1
21	EY6705L0377	ROLLER PIN	*B ϕ 3.175*7.2	6
22	EY6901L1107	CARRIER		1
23	EY6901L1477	RING GEAR		1
24	EY6900B1347	PLANET GEAR	*B	3
25	EY6200B0857	THRUST PLATE		1
26	WEY6902L1767	GEAR CASE		1
27	EY6930L9577	SCREW	*C K3-12	4
28	WEY6902L1467	RING GEAR		1
29	WEY6902L1357	CARRIER		1
30	EY6200B1357	PLANET GEAR	*B	3
31	EY6900B1127	CARRIER		1
32	EY6930B1457	RING GEAR		1
33	EY560B1367	PLANET GEAR	*B	3
34	EY6901L0887	THRUST PLATE		1
35	WEY6932L1008	DC MOTOR		▲ 1
36	WEY6902L2567	RADIATING PLATE		1
37	WEY6902L6017	SEMS SCREW	2.6-7	1
38	WEY6931Y2007	SWITCH		▲ 1
39	EY6230L6037	SEMS SCREW	*C M3-5	2
40	EY6481L0207	DUST PREVENTIVE PLATE		▲ 1
41	EY6406Y3238	H/L HANDLE		▲ 1
42	EY6481L0177	CLICK SPRING		1
43	WEY6402Y3247	SELECTOR HANDLE		▲ 1
44	EY6930L0177	CLICK SPRING		1
45	WEY6930K9218	SCREW	*C K3-20	▲ 9
46	WEY6902L1458	GEAR BOX BLOCK		1
-	WEY6932K8008	INDIVIDUAL BOX		▲ 1
-	WEY6932K8108	OPERATING INSTRUCTIONS		▲ 1

** Battery Pack and Tool Case are available as an optional accessory.

See the nearest sales dealer for details.

*** For replacement parts of charger, see the charger service manual.

Charger complete set is available as an optional accessory. See the nearest sales dealer for details.